

The flexible build plate component of Guider IIs

Guider IIs offers two options of build plate

A: Glass platform

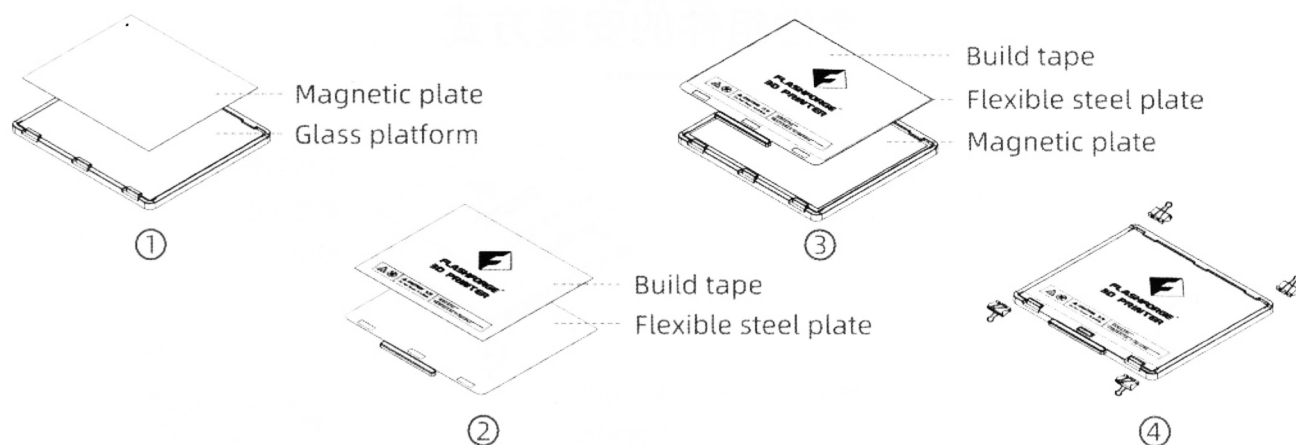
With glass platform (without blue tape) the model bottom will have a smooth effect when printing on glass platform, When printing directly on the glass platform, it is recommended to apply solid glue to the glass surface. The printing speed of the first layer should be set below 15mm/s. Applicable filament: PLA/ABS/PETG/PC

B: Flexible steel build plate

The flexible build plate component of Guider IIs include: magnetic plate, spring steel plate, blue build tape. Printing on the flexible steel build plate, which is more convenient to remove the model. Applicable filament: PLA/ABS/PA/ PA-CF/ PA-GF/ASA
Note: Build tape has strong adhesion to PC filament.

Recommend We recommend use **option B** to print.

The flexible components are installed as follows



1. Please make sure the glass platform is clean and tidy. Tear off the parting paper on the back of the magnetic plate and attach the magnetic plate to the glass platform.
2. Attach the build tape to the spring steel plate (Ignore if it is already attached).
3. Place the flexible steel plate on the magnetic tape and pay attention to whether it fits smoothly.
4. When printing a large model (>150mm) and the temperature of the platform is above 80 degrees, please use 4 clips to clamp the steel plate and the platform holder to prevent warping in the printing process.

When removing the steel plate, just remove the front 2 clips and take out the elastic steel plate.

Note: the clamp is needed to prevent warping for the reason that the magnetism of the flexible magnet will be weakened under the condition of high temperature.